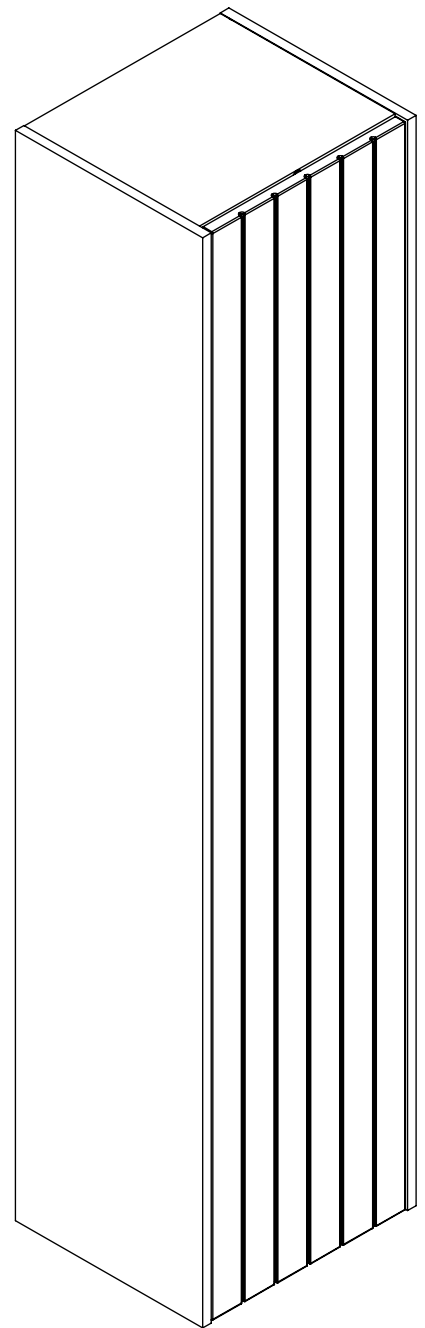
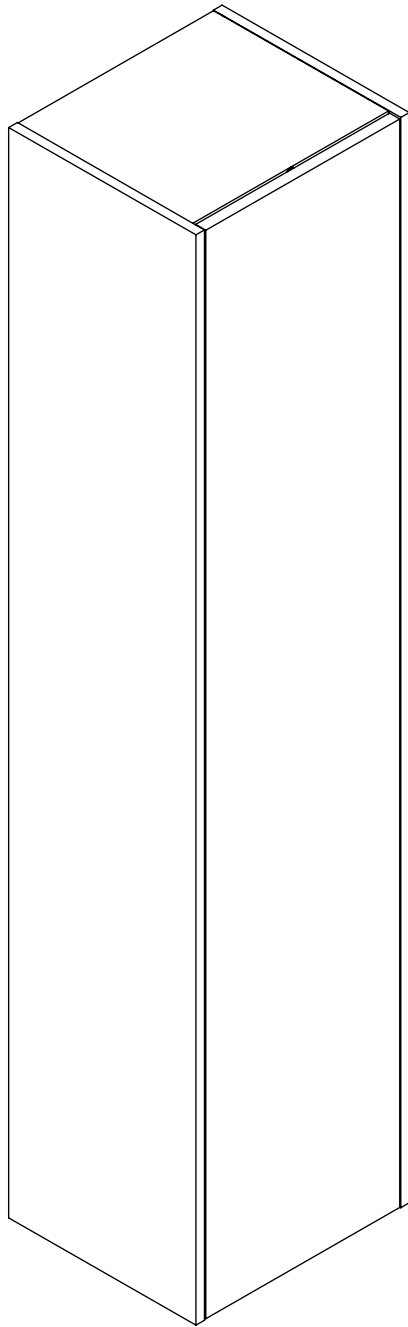
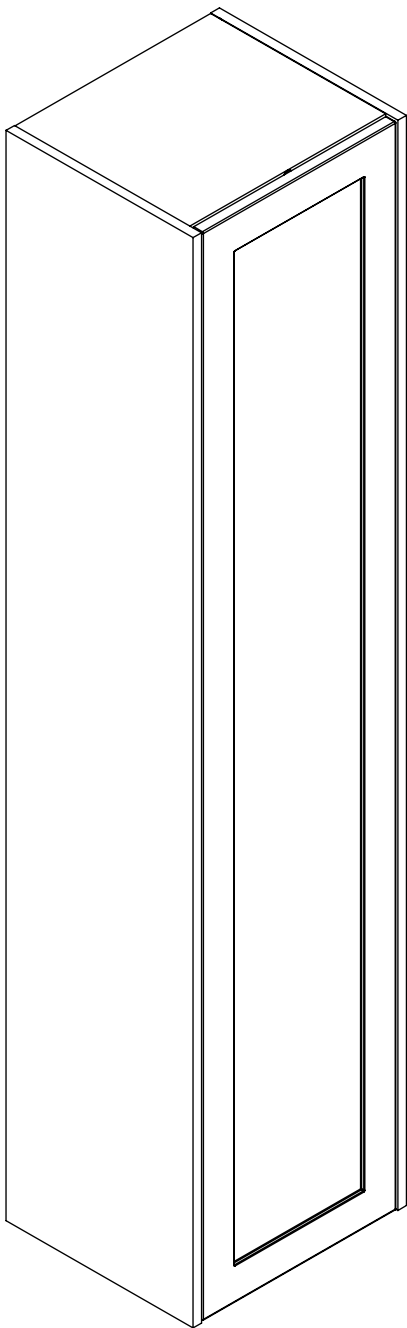
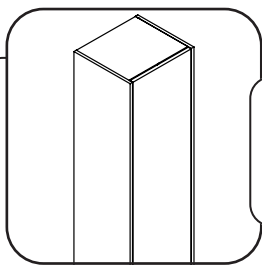




DANSANI
BATHROOM DESIGN





6x
5-500



6x
5,0-60SU



6x
390010067



4x
190300083



3x
190040030



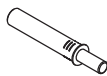
1x
190320150



2x
4,0-16LH



1x
190320152



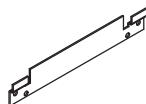
1x
190320154-2



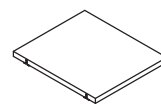
1x
190320154-3



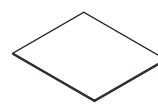
20x
415533



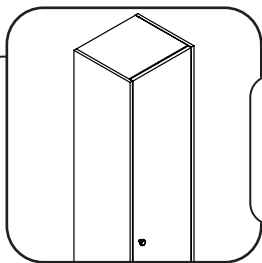
1x
546240046



1x
8549415xx-70



2x/5x
820841501



6x
5-500



6x
5,0-60SU



6x
390010067



4x
190300083



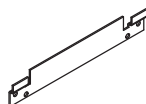
3x
190040030



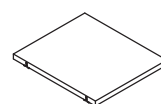
2x
19500030



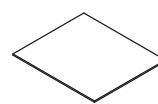
20x
415533



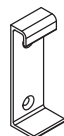
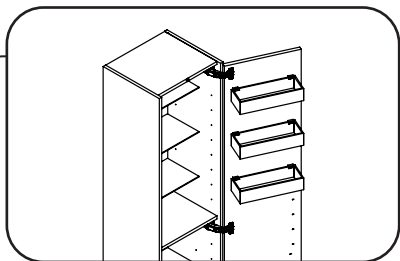
1x
546240046



1x
8549415xx-70



2x/5x
820841501



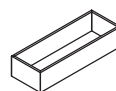
6x
545600047



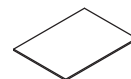
12x
4,0-15SU



6x
57770000

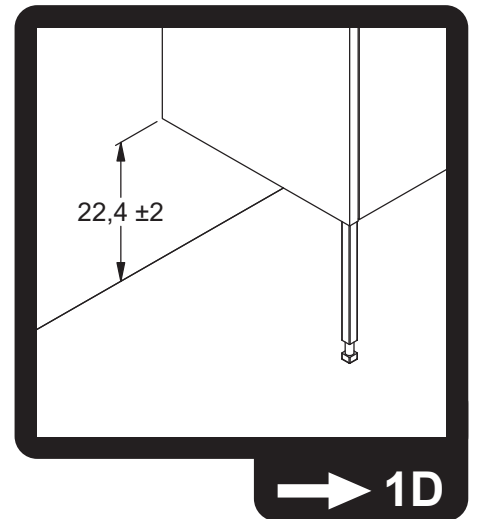
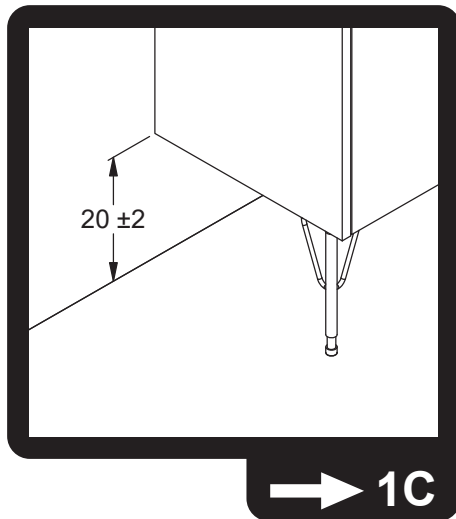
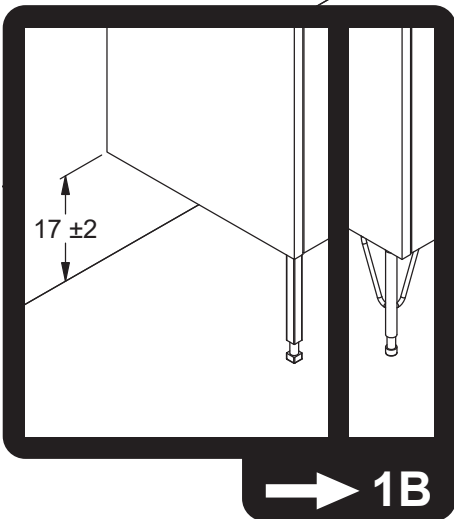
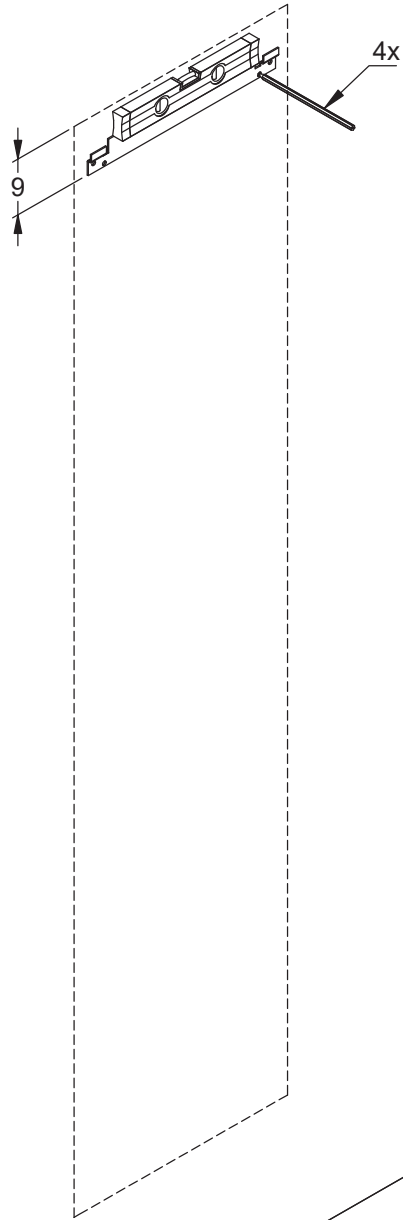


3x
849000104

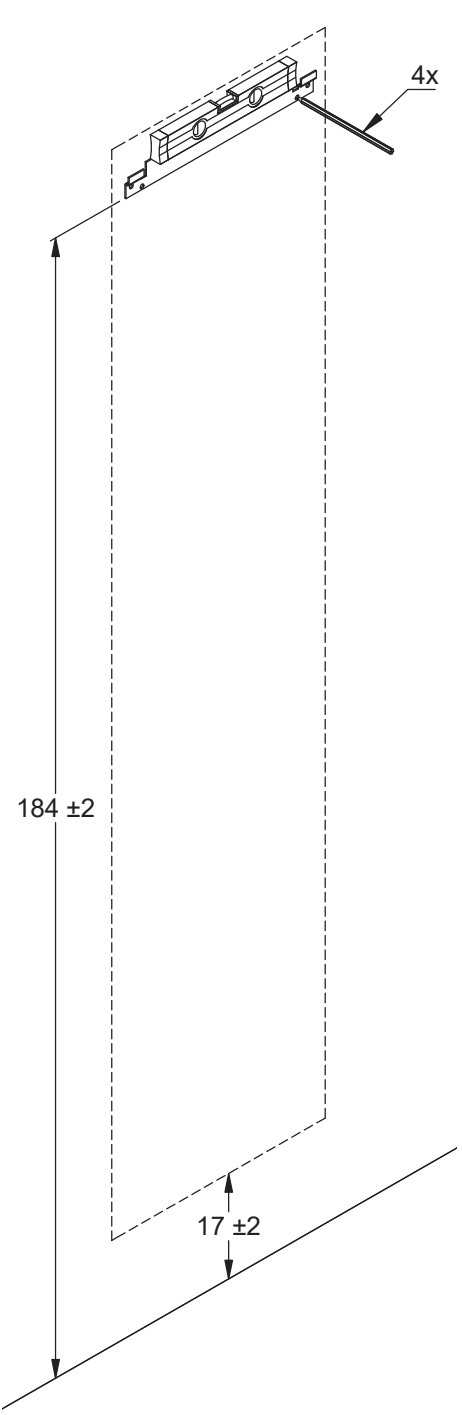


3x
820842501

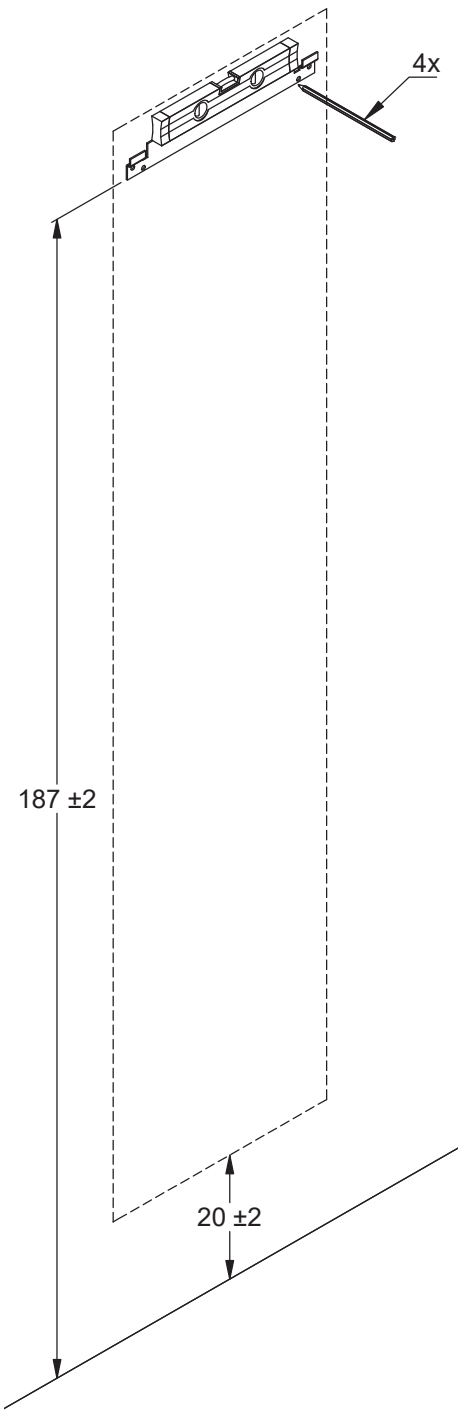
1A



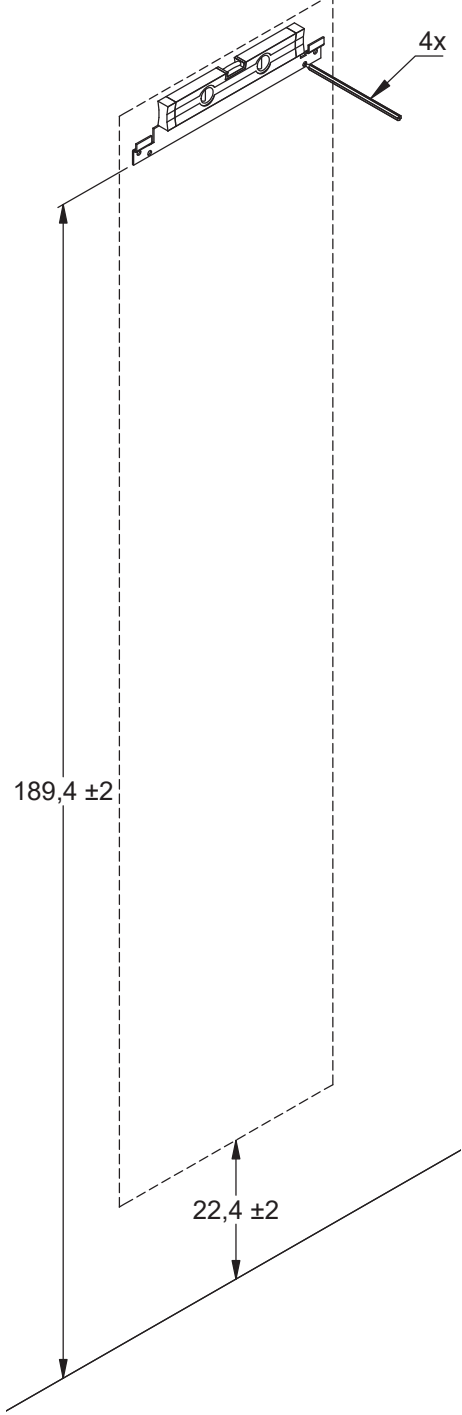
1B






1C

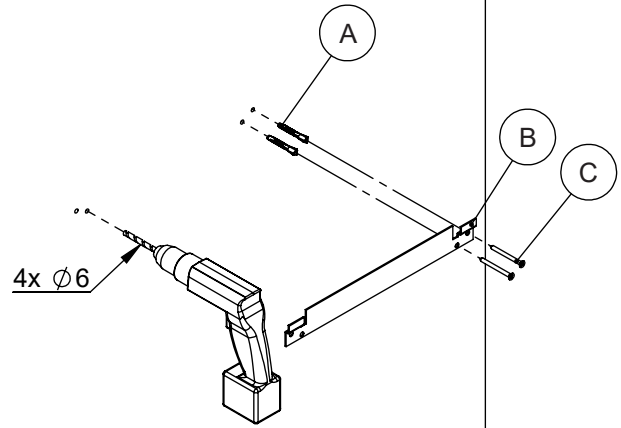


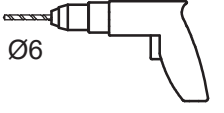



1D



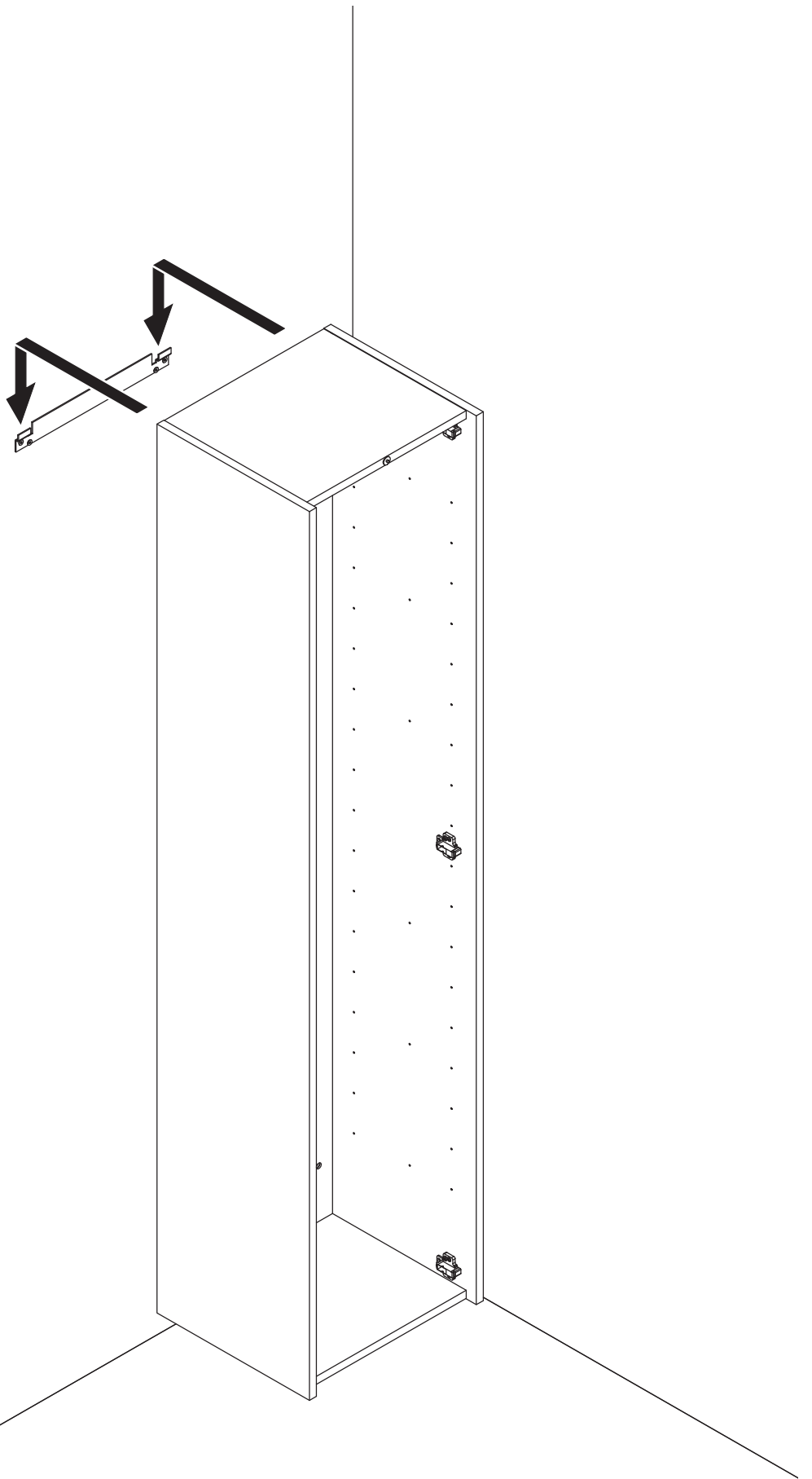
2

		
4x 5-500	1x 5462x0046	4x 5,0-60SU

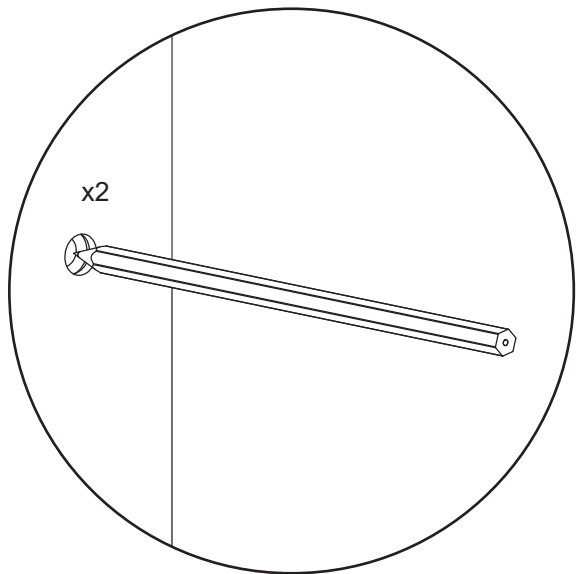
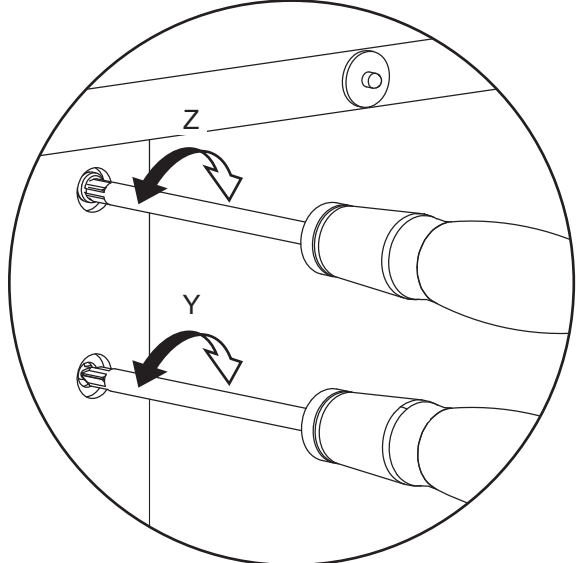
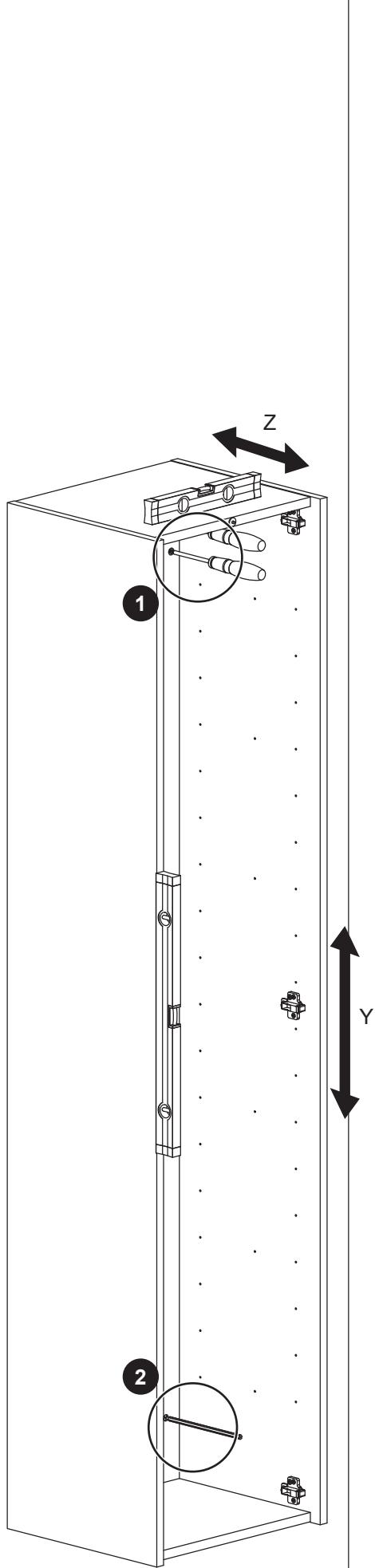


1	
	Ø6
2	
	SILICONE
3	
	A
4	
	SILICONE

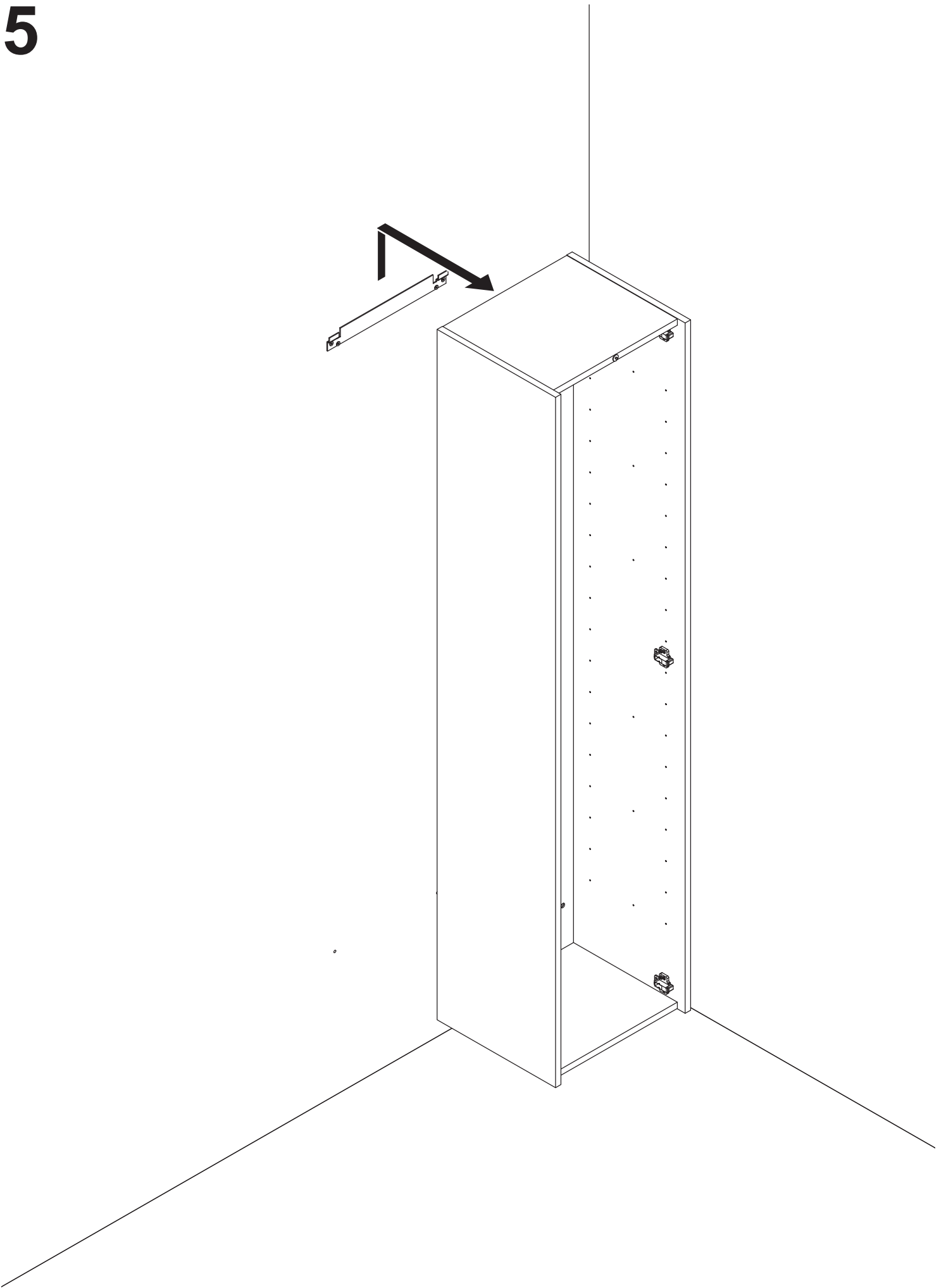
3



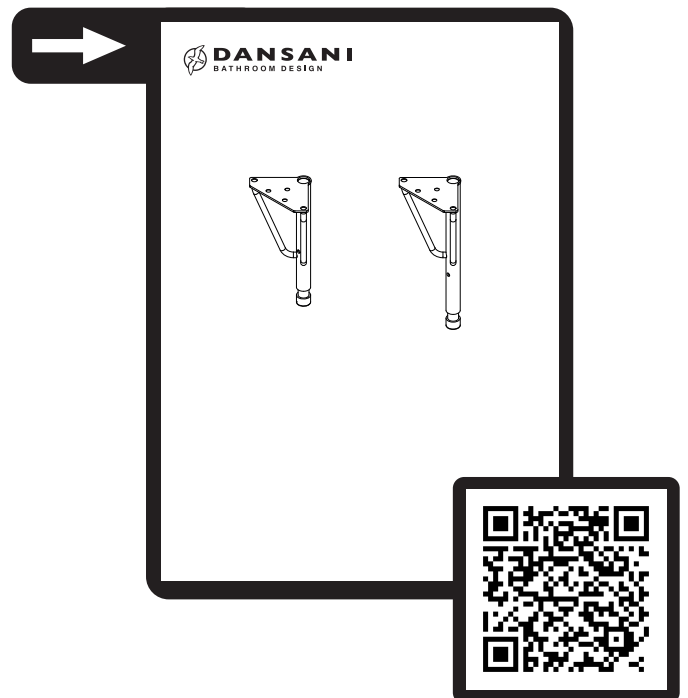
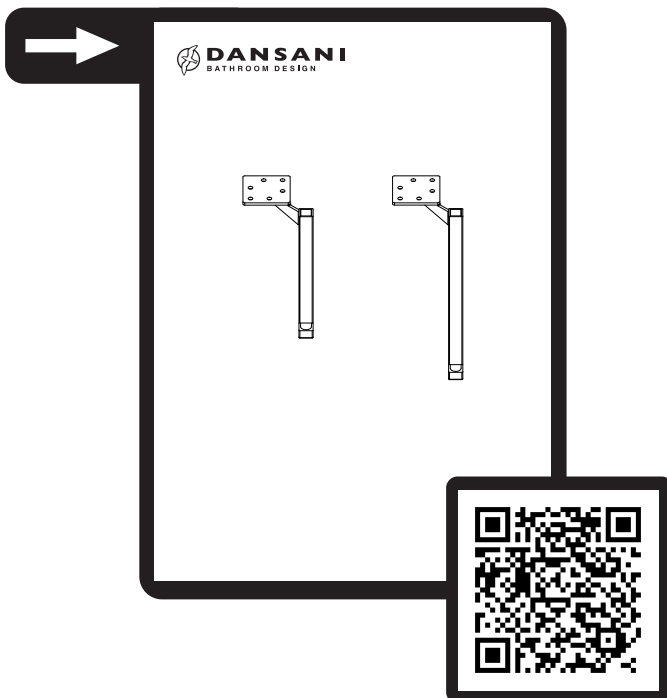
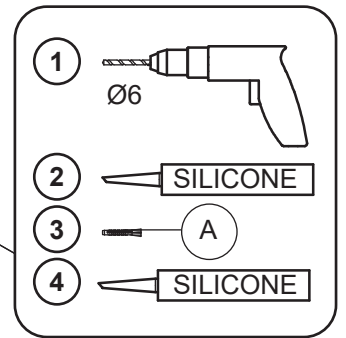
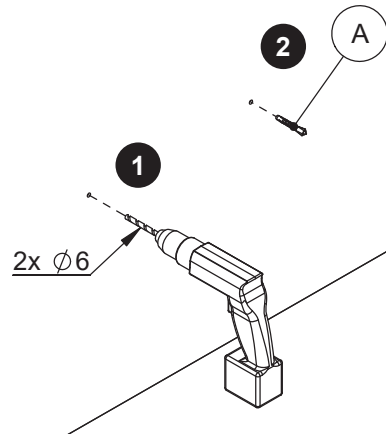
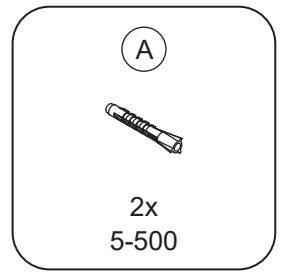
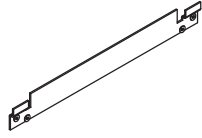
4



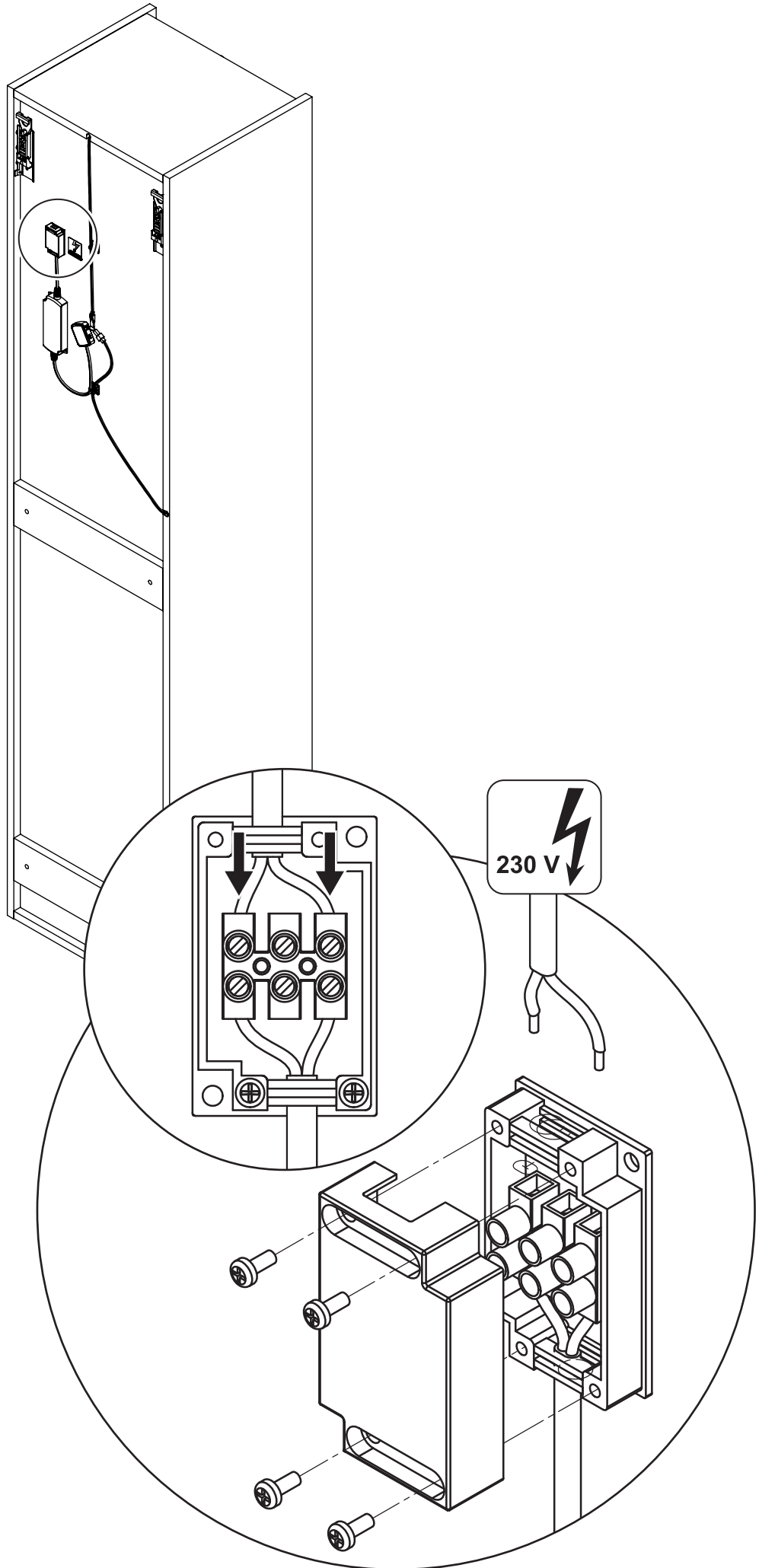
5



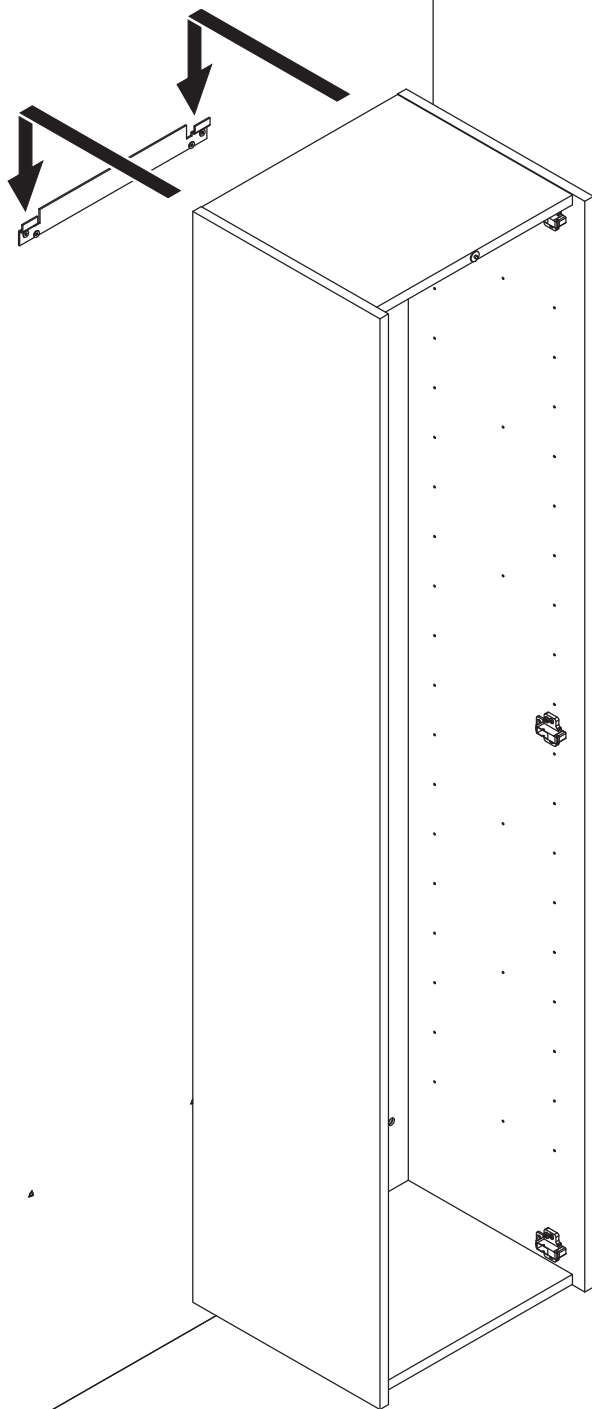
6







7

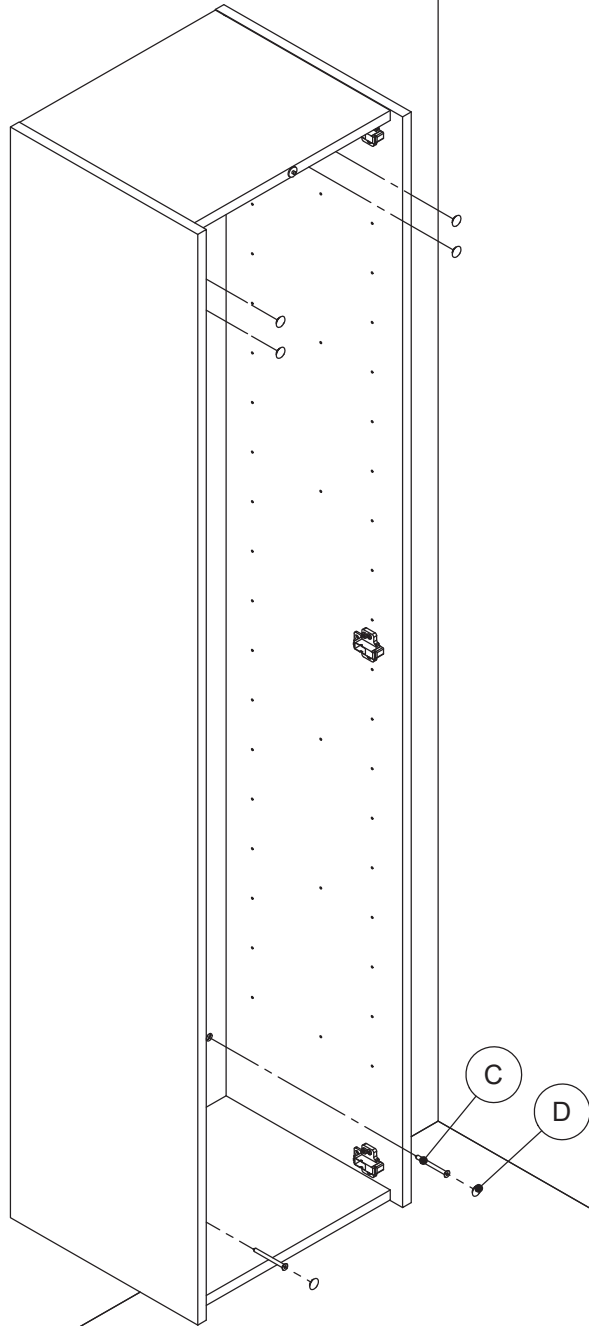


8

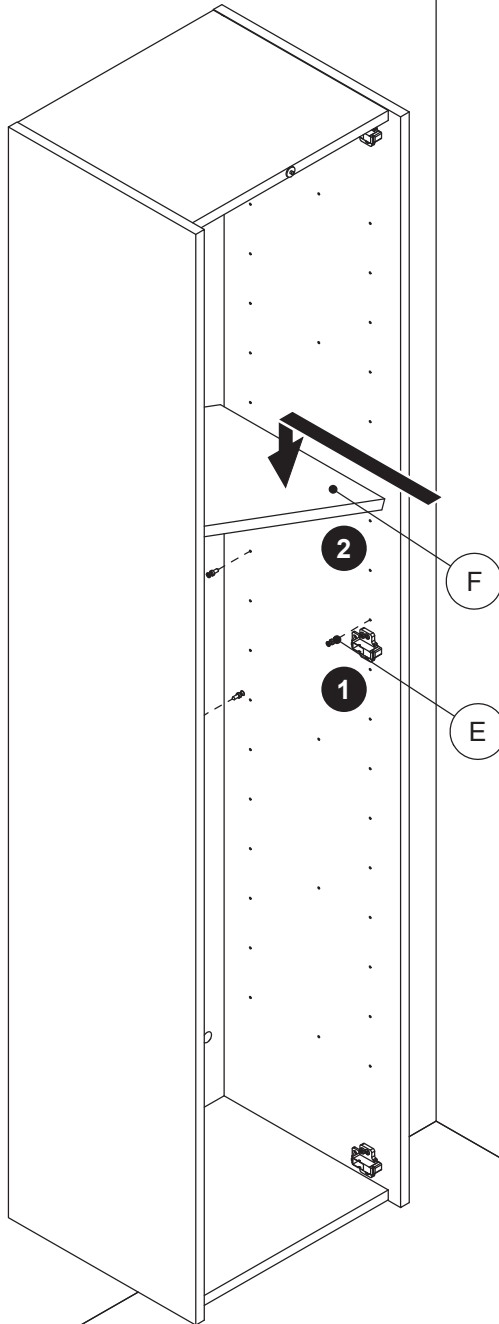
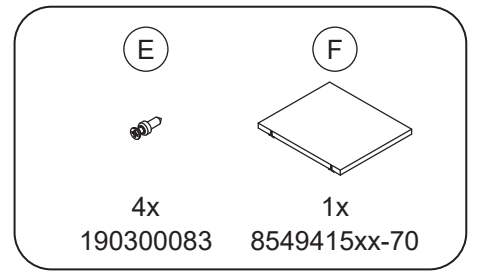


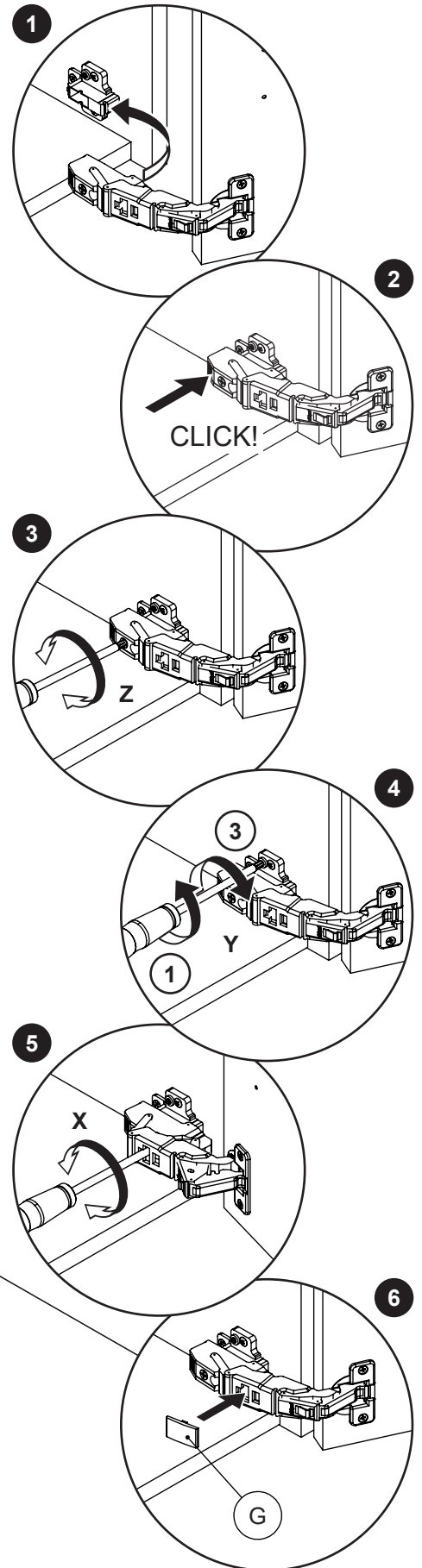
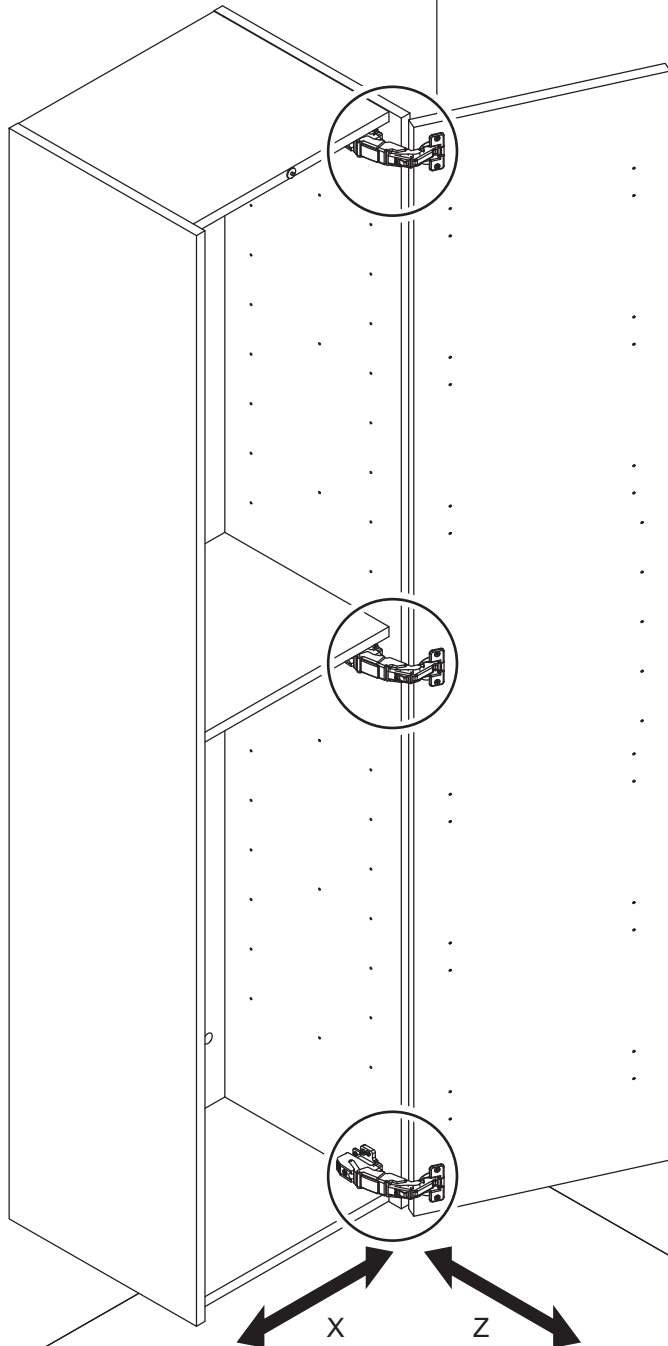
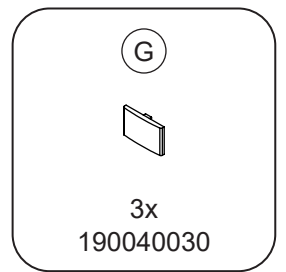
9

	
	
2x 5,0-60SU	6x 390010067



10










→ 12

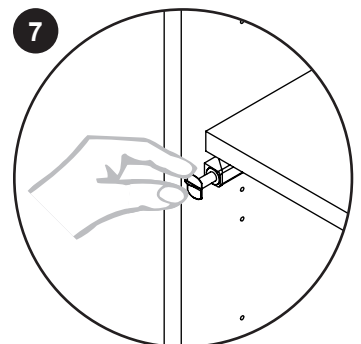
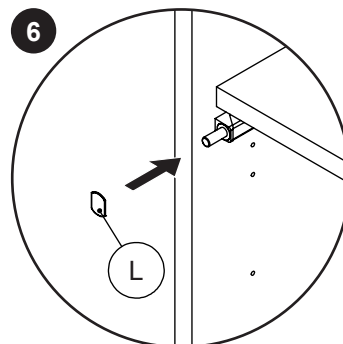
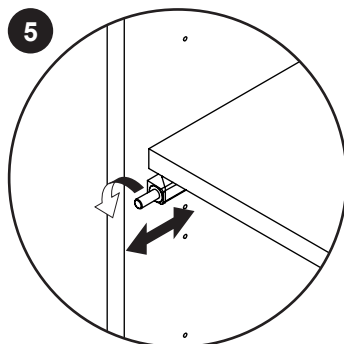
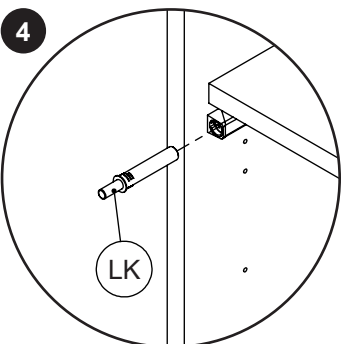
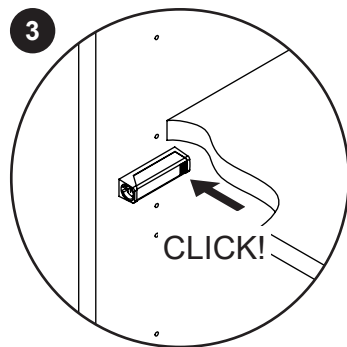
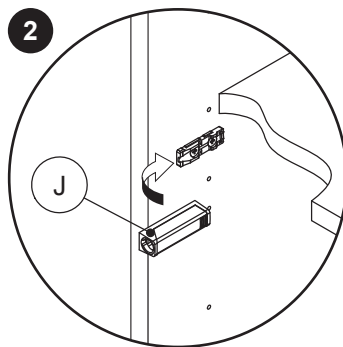
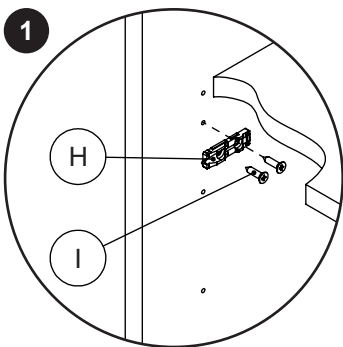
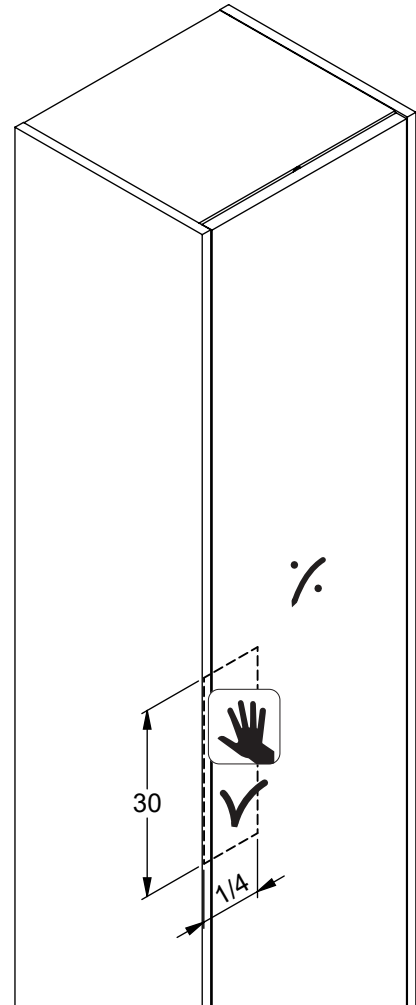
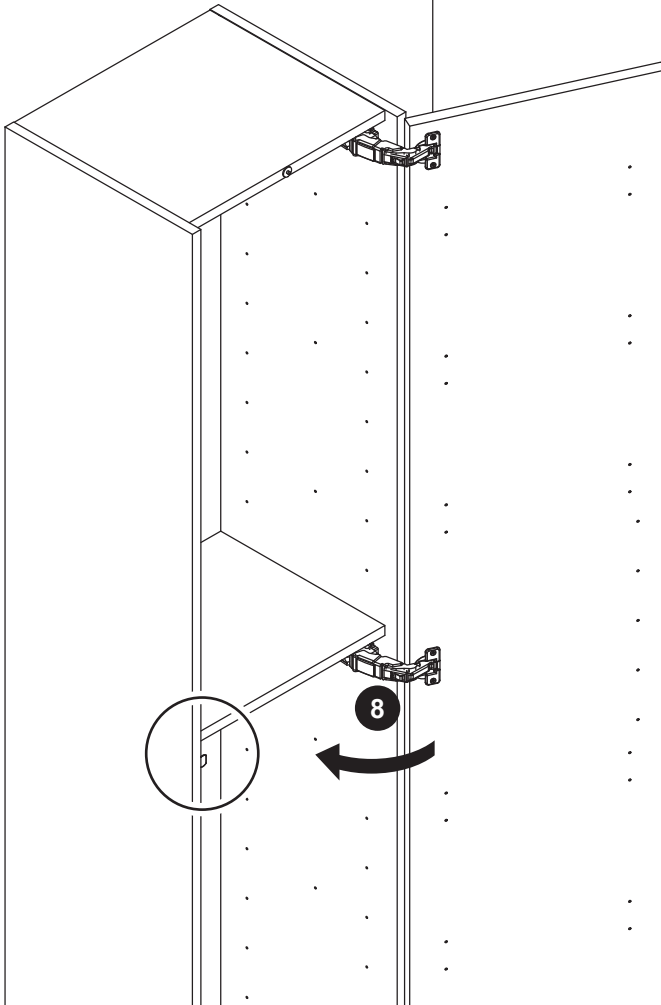


→ 13

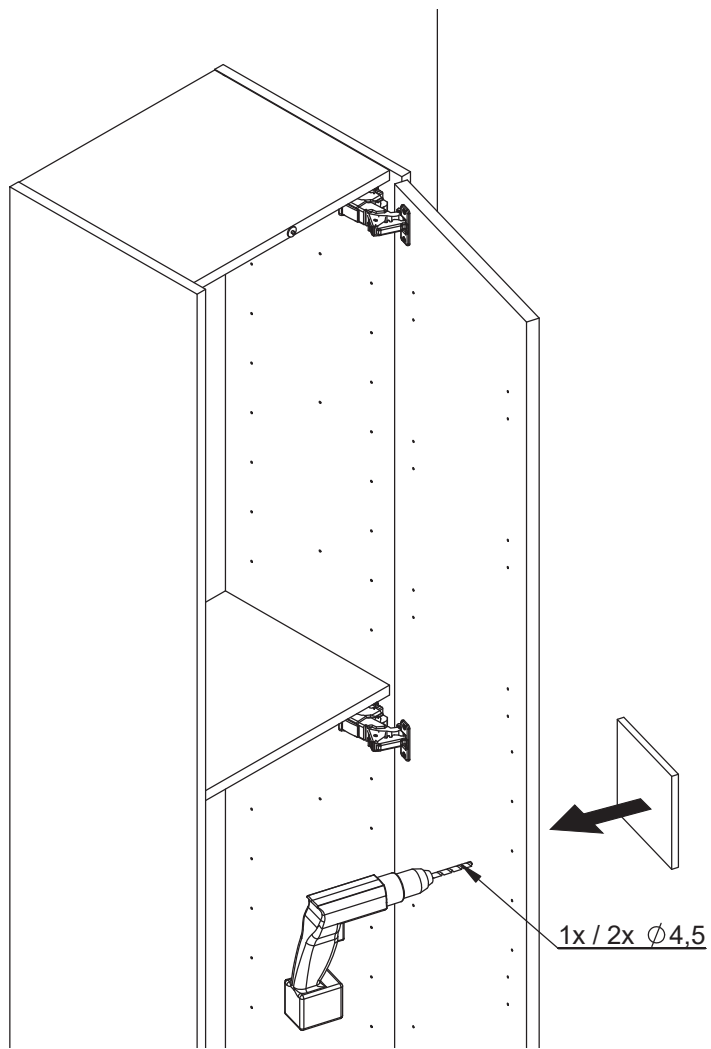
12



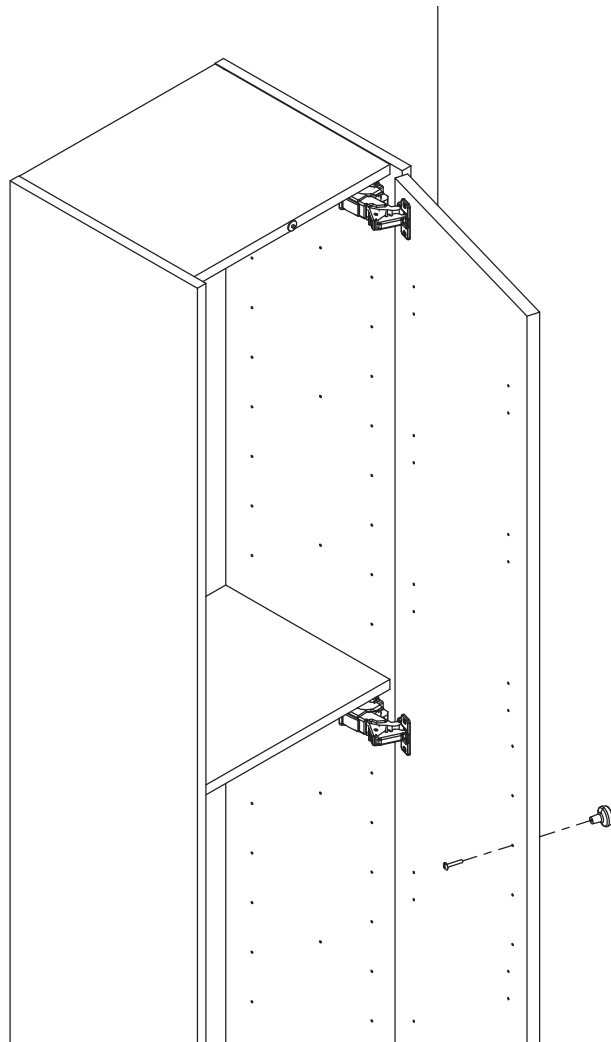
				
1x 190320150	2x 4,0-16LH	1x 190320152	1x 190320154-2	1x 190320154-3



13A



13B

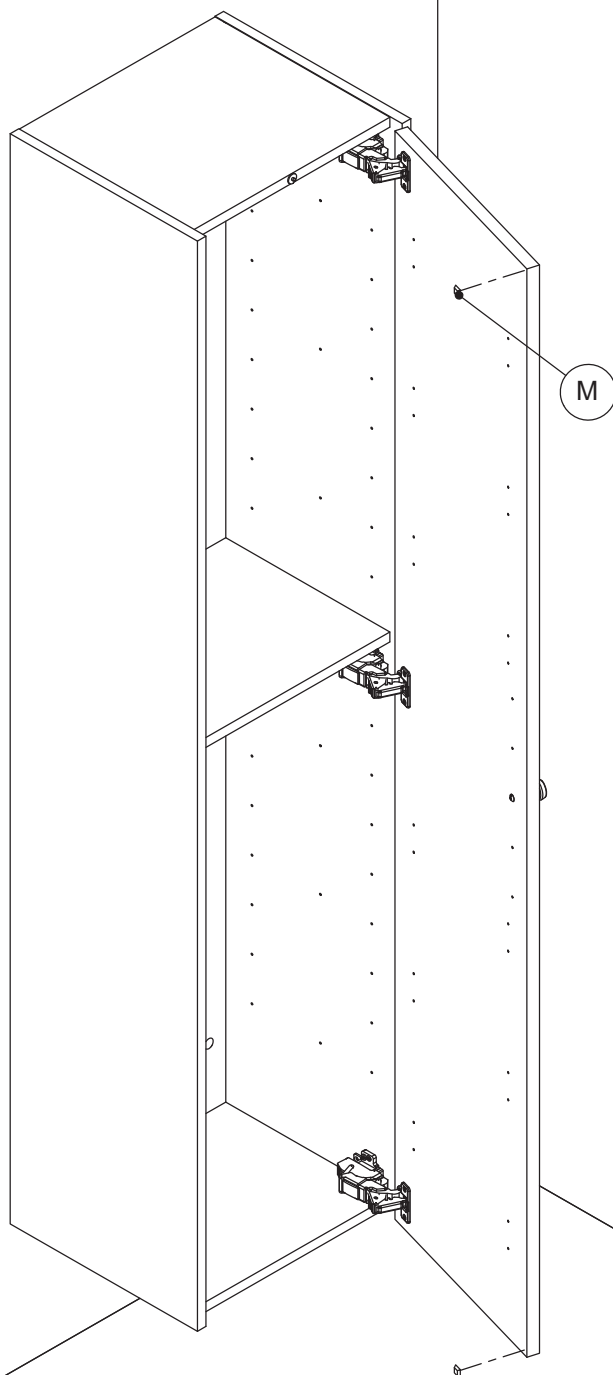


14




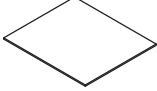


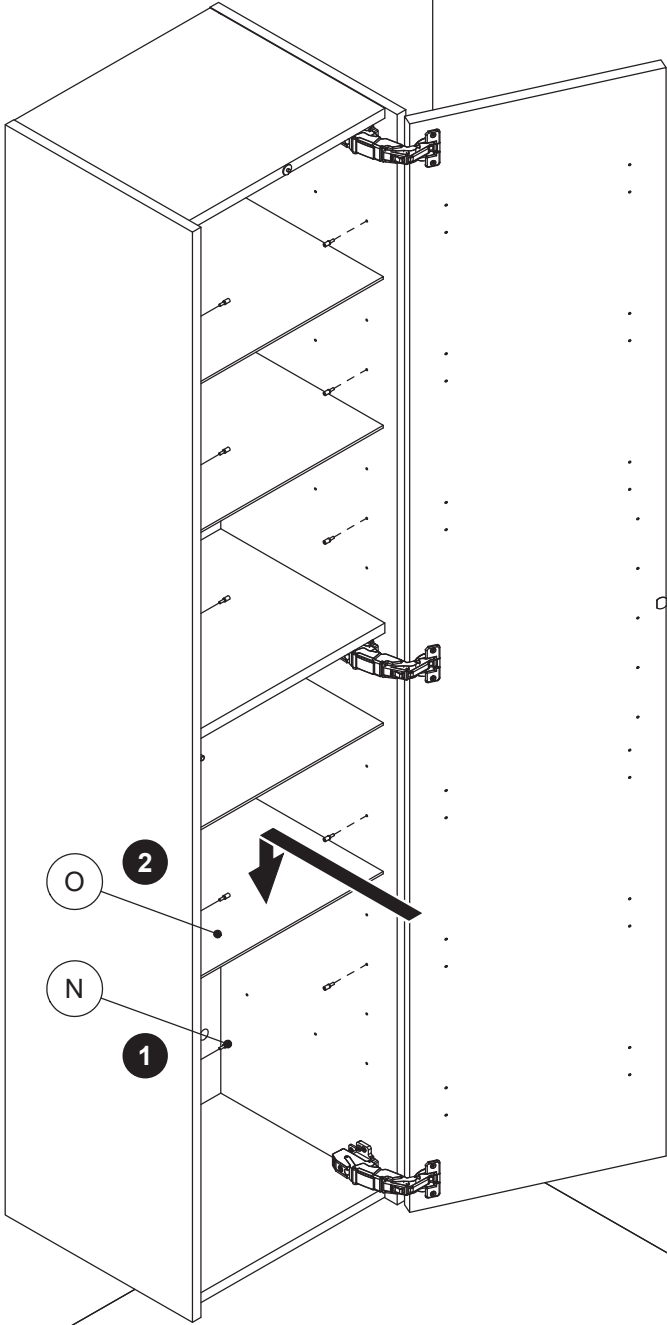
(M)

2x
19500030

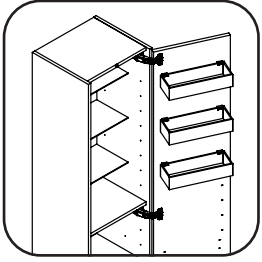






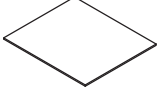
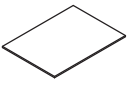
15A

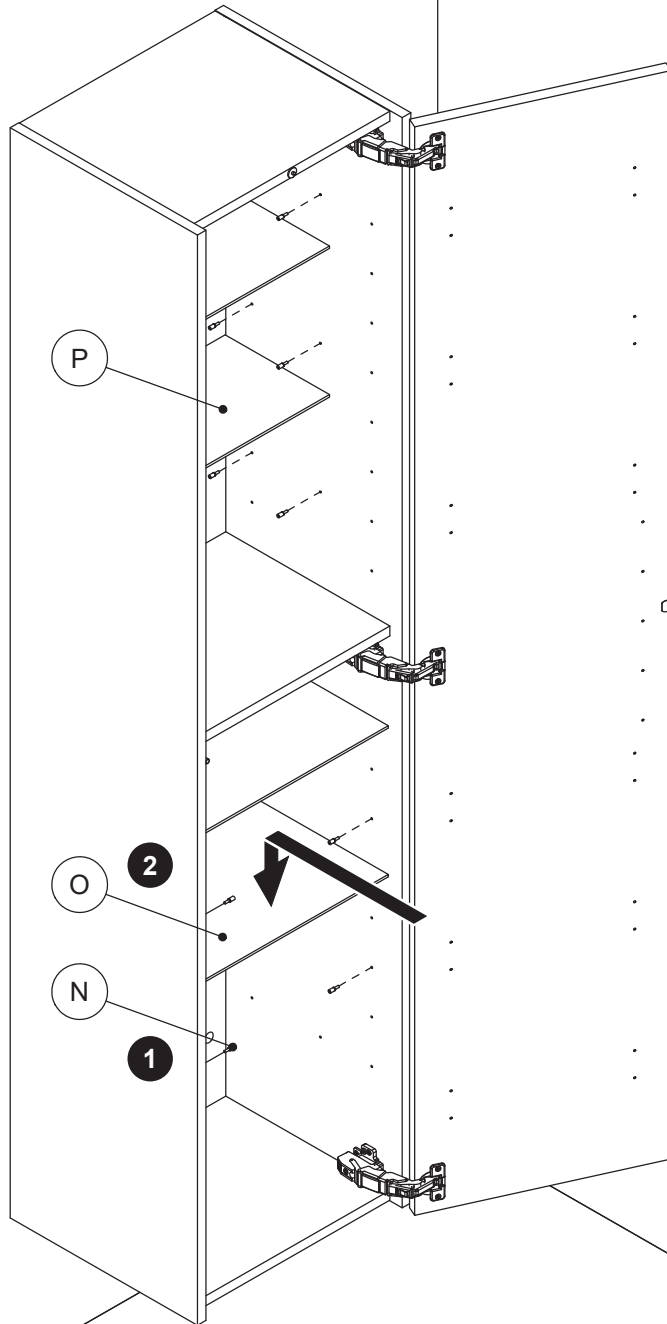
 N	 O
	
20x 415533	5x 820841501



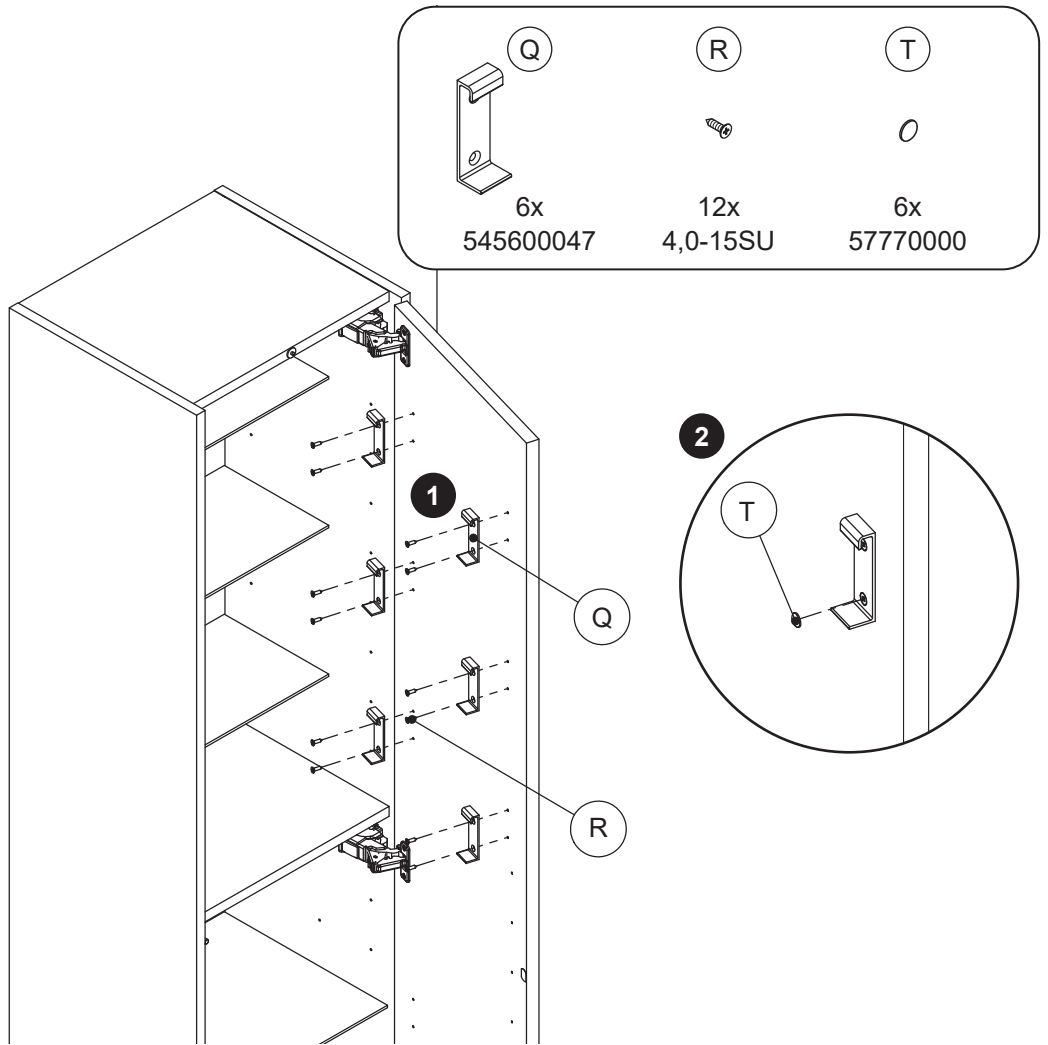
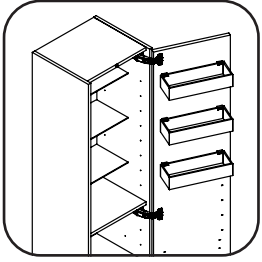
15B



 (N)	 (O)	 (P)
		
20x 415533	2x 820841501	3x 820842501



16A



16B

