

Datablad

Art. Nr. **106427**

Benämning **AGA 100M-PWB-20/DPC-10**



Själv sugande pumpautomater med 8 m sughöjd. Ger rikligt med vatten till kök, bad, dusch och bevattnig. WC, varmvattenberedare, disk- och tvättmaskin kan anslutas.

5-års garanti på tryckkärl Pressure Wave (PWB)

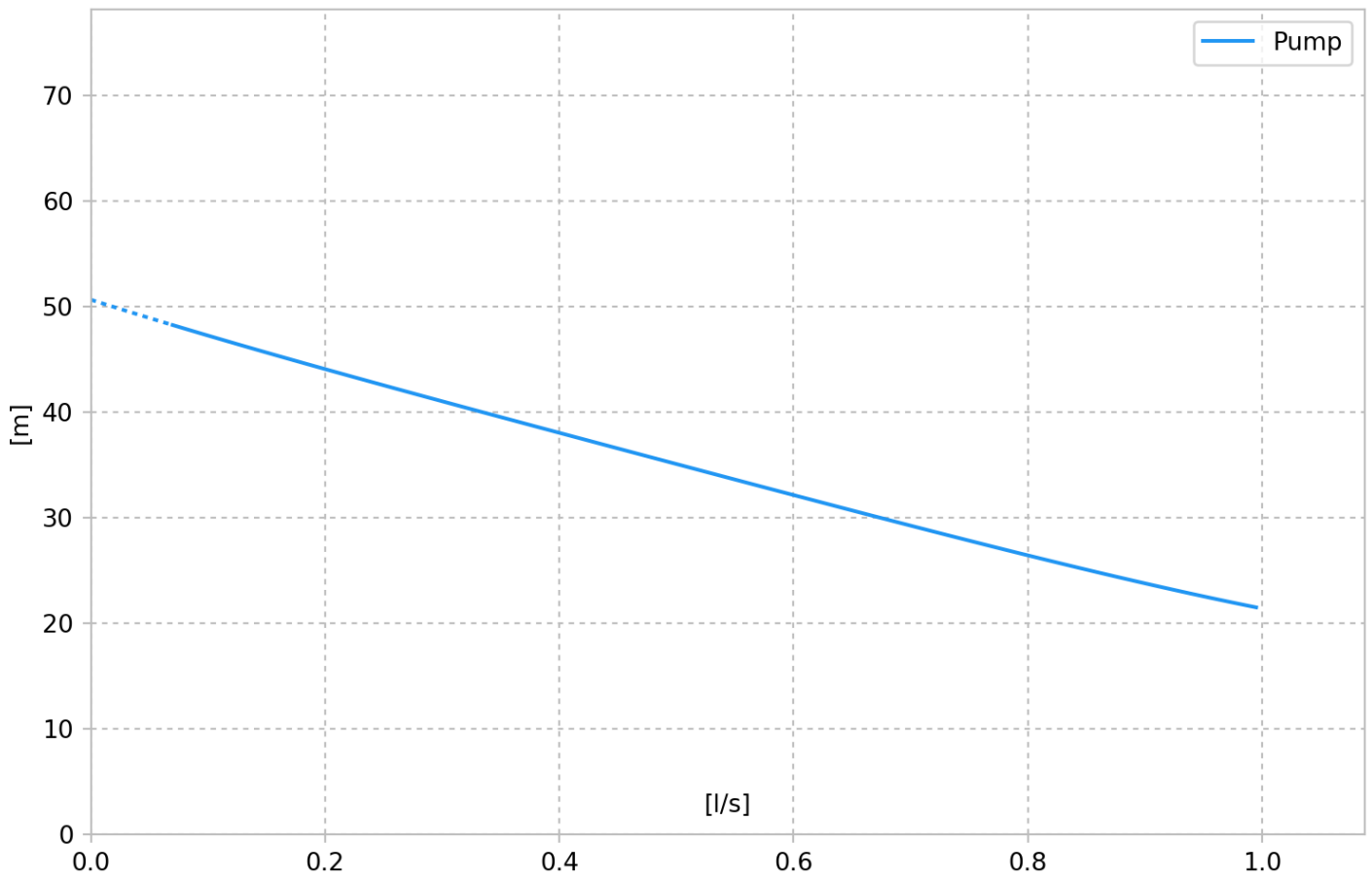
Note: required NPSH data is not provided by the manufacturer. Please consult an expert before proceeding with the purchase.

Search Parameters

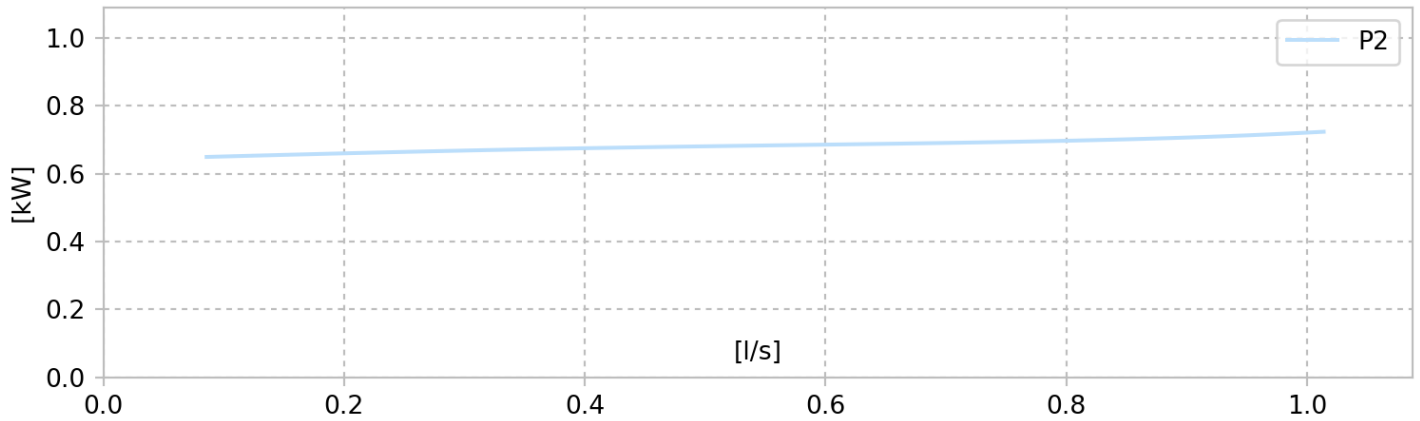
Liquid	Water
Temperature	20°C
Date	2021-02-11 12:09:55

Performance Curves

Head

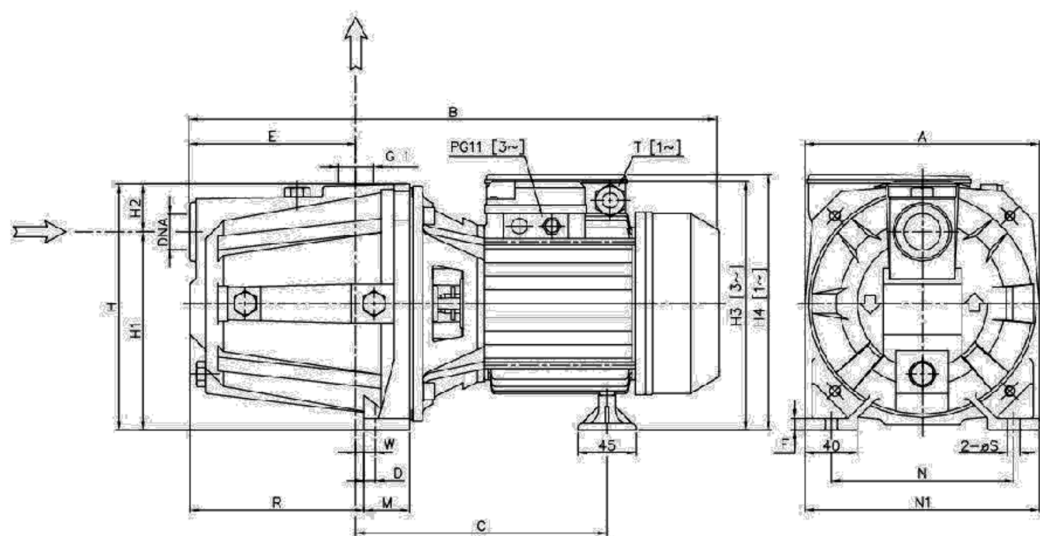


Power



Drawings

Pump weight On demand kg



Dimensions [mm]	
A	180
B	405
C	195
D	10.3
DNA	G 1
E	127
F	9
H	185
H1	152
H2	33
H4	199
M	40
N	140
N1	180
R	128.5
S	9.5
T	PG 11
W	11.8
Weight P&M	13.8 kg

Dimensions [mm]

A	180
B	405
C	195
D	10.3
DNA	G 1
E	127
F	9
H	185
H1	152
H2	33
H4	199
M	40
N	140
N1	180
R	128.5
S	9.5
T	PG 11
W	11.8
Weight P&M;	13.8 kg

Technical Specifications

Materials

Impeller	PPE+PS glass fibre reinforced
Shaft	AISI 303 (wet extension)
casing	Cast iron

Motor

1-phase / 3-phase	1~
Capacitor	20 µF
Code starting mode	Unbek
Corrected motor power	0.75 kW
Currents	5.5 A
Degree of protection	IP 44
Efficiencies	-
Efficiency	- %
Frequency	50 Hz
Full name	230V
Insulation class	F
Item name	TEFC_AGA 1.00 M_230_Single Phase
Item price coding	PRICE
Make	EPE Standard
Max. shaft power	0.7101 kW
Motor design	-
Motor power at operating speed	- kW
Name	TEFC_AGA 1.00 M_230_Single Phase
No. starts per hour	40
Nominal speed	2800 1/min
Number of poles	2
Pole pairs	1
Power correction DIN VDE 0530	0.75 kW
Rated current	5.5 A
Rated power	0.75 kW
Rated torque	2.5578 Nm
Rated voltage	230 V
Sel. degree of protection	IP 44
Sel. voltage name	230V
Service factor	1
Speed	2800 1/min
Stages	1
Starting mode	Unknown
Temperature coefficient	No data
Title of the main position	TEFC_AGA 1.00 M_230_Single Phase

